

**TOP GLIDE SYSTEM - 1 FOR DOUBLE DOOR WARDROBES**



**Specifications:**

- Utilizes full inner space in the wardrobe
- Tracks not visible
- Door Installation: Inset
- Track mounting: Top
- Application type: Double Door

Suitable door weight: 50kgs.  
Suitable door thickness: 18-24mm

**INSET SLIDING SYSTEM - 1A (for Wooden Doors)**

Product Code	OE.WS.TG1A.TR Std Std Top Roller Set MRP(₹) ₹ 2,400	OE.WS.TG1A./22BR Std Std Bottom Roller Set MRP(₹) ₹ 1,190	OE.WS.TG1A./TT 3mtr AN Top Track 3mtr length MRP(₹) ₹ 2,050	OE.WS.TG1A./22BT 3mtr AN Bottom Track 3mtr length MRP(₹) ₹ 1,140
Product Image				
Set Qty.	1 Set	1 Set	1 Pc. (Length)	1 Pc. (Length)

**INSET SLIDING SYSTEM - 1B (for Wooden Doors)**

Suitable door weight: 75kgs.  
Suitable door thickness: 20-32mm

Product Code	OE.WS.TG1B.TR Std Std Top Roller Set MRP(₹) ₹ 3,100	OE.WS.TG1B.BR Std Std Bottom Roller Set MRP(₹) ₹ 1,200	OE.WS.TG1B.TT 3mtr AN Top Track - 3mtr length MRP(₹) ₹ 2,350	OE.WS.TG1B.BT 3mtr AN Bottom Track 3mtr length MRP(₹) ₹ 1,390
Product Image				
Set Qty.	1 Set	1 Set	1 Pc. (Length)	1 Pc. (Length)

**TOP GLIDE SYSTEM 22 FOR DOUBLE DOORS WARDROBE**



**Specifications:**

- Utilizes full inner space in the wardrobe
- Tracks not visible
- Door Installation: Overlay
- Can be used for wardrobe width upto 10 feet
- Track mounting: Top
- Application type: Double Door



Scan QR for Installation Video

**TOP GLIDE SYSTEM - 22 W (for Wooden Doors)**

Suitable door weight: 50kgs.  
Suitable door thickness: 18-28mm

Product Code	OE.WS.TG22W.TR Std Std Top Roller Set	OE.WS.TG1A/22.BR Std Std Bottom Roller Set	OE.WS.TG22.TT 3mtr AN Top Track 3mtr length	OE.WS.TG1A/22.BT 3mtr AN Bottom Track 3mtr length	OE.WS.TG22.SC Std Gr Soft Close TG22
	MRP(₹) ₹ 2,705	MRP(₹) ₹ 1,190	MRP(₹) ₹ 1,840	MRP(₹) ₹ 1,140	MRP(₹) ₹ 3,490
Product Image					
Set Qty.	1 Set	1 Set	1 Pc. (Length)	1 Pc. (Length)	1 Set

**TOP GLIDE SYSTEM - 22 F (for Framed Doors)**

Suitable door weight: 50kgs.  
Suitable door thickness: 18-22mm

Product Code	OE.WS.TG22F.TR Std Std Top Roller Set	OE.WS.TG1A/22 BR Std Std Bottom Roller Set	OE.WS.TG22.TT 3mtr AN Top Track 3mtr length	OE.WS.TG1A/22.BT 3mtr AN Bottom Track 3mtr length
	MRP(₹) ₹ 3,690	MRP(₹) ₹ 1,190	MRP(₹) ₹ 1,840	MRP(₹) ₹ 1,140
Product Image				
Set Qty.	1 Set	1 Set	1 Pc. (Length)	1 Pc. (Length)

**BOTTOM GLIDE SYSTEM**



Item Code	MRP(₹)
OE.WS.BG1.S Std Std	₹ 605

Top & Bottom Roller Set for Single Door

**Features:**

- Inset sliding shutters
- Bottom dom track
- Top & bottom rollers provide smooth sliding

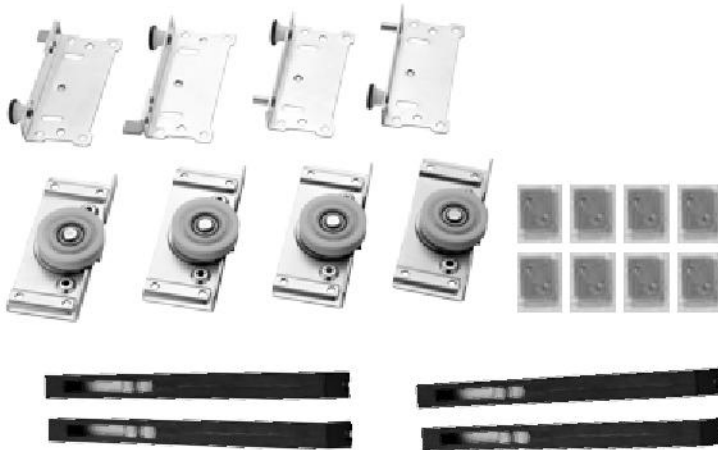
**Specifications:**

- Door type: Wood
- Application type: Dual door
- Door Weight: **upto 60 kg**
- Door Thickness : **18-23mm**
- Track mounting: Bottom
- Track length: 2/3/4 mtr for double & single leaf doors

**System consists fittings for Single Door**

- Top Roller: 1 Set
- Bottom Roller: 1 Set
- Stopper: 2 Pcs

**SOFT OPENING & CLOSING BOTTOM GLIDE SYSTEM**



**Features:**

- 2 door overlap wardrobe sliding system with both side soft close mechanism
- Ideal for door weight upto **60kg**

**Specifications:**

- 50,000 life cycle tested
- Suitable for door thickness upto 18-23mm with double track & any thickness with single track

**Fitting Set for 2 doors consists**

- Top Roller: 2 sets
- Bottom Roller: 2 sets
- Soft Close & Soft Open Dampner: 4 pcs
- Door Thickness: **18-23mm**

Item Code	MRP(₹)
OE.WS.BG1.D.SCO Std Std	₹ 2,650

Top & Bottom Roller Set

**SOFT CLOSE BOTTOM GLIDE SYSTEM**



**Features:**

- 2 door overlap wardrobe sliding system with both side soft close mechanism
- Ideal for door weight upto **60kg**

**Specifications:**

- 50,000 life cycle tested
- Suitable for door thickness upto 18-23mm with double track & any thickness with single track

**Fitting Set for 2 doors consists**

- Top Roller: 2 Sets
- Bottom Roller: 2 Sets
- Soft Close Dampner: 2 Pcs
- Stopper: 2Pcs
- Door Thickness: **18-23mm**

Item Code	MRP(₹)
OE.WS.BG1.D.SC Std Std	₹ 2,650

Top & Bottom Roller Set Double Door

TRACKS OPTIONS FOR BOTTOM GLIDE SYSTEMS

Product Code	Track Options	Drawing								
<table border="1"> <tr> <th>Item Code</th> <th>MRP(₹)</th> </tr> <tr> <td>OE.WS.BG1.TT 4mtr AN</td> <td>₹ 1,415</td> </tr> <tr> <td>OE.WS.BG1.TT 3mtr AN</td> <td>₹ 1,070</td> </tr> <tr> <td>OE.WS.BG1.TT 2mtr AN</td> <td>₹ 710</td> </tr> </table> <p>Top Track (separate cover for every length)</p>	Item Code	MRP(₹)	OE.WS.BG1.TT 4mtr AN	₹ 1,415	OE.WS.BG1.TT 3mtr AN	₹ 1,070	OE.WS.BG1.TT 2mtr AN	₹ 710		
Item Code	MRP(₹)									
OE.WS.BG1.TT 4mtr AN	₹ 1,415									
OE.WS.BG1.TT 3mtr AN	₹ 1,070									
OE.WS.BG1.TT 2mtr AN	₹ 710									
<table border="1"> <tr> <th>Item Code</th> <th>MRP(₹)</th> </tr> <tr> <td>OE.WS.BG1.BT 4mtr AN</td> <td>₹ 1,415</td> </tr> <tr> <td>OE.WS.BG1.BT 3mtr AN</td> <td>₹ 1,070</td> </tr> <tr> <td>OE.WS.BG1.BT 2mtr AN</td> <td>₹ 710</td> </tr> </table> <p>Bottom Track (separate cover for every length)</p>	Item Code	MRP(₹)	OE.WS.BG1.BT 4mtr AN	₹ 1,415	OE.WS.BG1.BT 3mtr AN	₹ 1,070	OE.WS.BG1.BT 2mtr AN	₹ 710		
Item Code	MRP(₹)									
OE.WS.BG1.BT 4mtr AN	₹ 1,415									
OE.WS.BG1.BT 3mtr AN	₹ 1,070									
OE.WS.BG1.BT 2mtr AN	₹ 710									
<table border="1"> <tr> <th>Item Code</th> <th>MRP(₹)</th> </tr> <tr> <td>OE.WS.BG1.S.TT 4mtr AN</td> <td>₹ 820</td> </tr> <tr> <td>OE.WS.BG1.S.TT 3mtr AN</td> <td>₹ 605</td> </tr> <tr> <td>OE.WS.BG1.S.TT 2mtr AN</td> <td>₹ 405</td> </tr> </table> <p>Top Track</p>	Item Code	MRP(₹)	OE.WS.BG1.S.TT 4mtr AN	₹ 820	OE.WS.BG1.S.TT 3mtr AN	₹ 605	OE.WS.BG1.S.TT 2mtr AN	₹ 405		
Item Code	MRP(₹)									
OE.WS.BG1.S.TT 4mtr AN	₹ 820									
OE.WS.BG1.S.TT 3mtr AN	₹ 605									
OE.WS.BG1.S.TT 2mtr AN	₹ 405									
<table border="1"> <tr> <th>Item Code</th> <th>MRP(₹)</th> </tr> <tr> <td>OE.WS.BG1.S.BT 4mtr AN</td> <td>₹ 820</td> </tr> <tr> <td>OE.WS.BG1.S.BT 3mtr AN</td> <td>₹ 605</td> </tr> <tr> <td>OE.WS.BG1.S.BT 2mtr AN</td> <td>₹ 405</td> </tr> </table> <p>Bottom Track</p>	Item Code	MRP(₹)	OE.WS.BG1.S.BT 4mtr AN	₹ 820	OE.WS.BG1.S.BT 3mtr AN	₹ 605	OE.WS.BG1.S.BT 2mtr AN	₹ 405		
Item Code	MRP(₹)									
OE.WS.BG1.S.BT 4mtr AN	₹ 820									
OE.WS.BG1.S.BT 3mtr AN	₹ 605									
OE.WS.BG1.S.BT 2mtr AN	₹ 405									

ECONOMY WARDROBE SLIDING SYSTEM

**E** Series



**Features:**

- Economy wardrobe sliding system
- Common flush track for top & bottom
- Tracks length are available in 2 mtr & 4 mtr

**Applications:**

- Best suitable for
- Overhead cabinets
  - Office cabinet
  - Small wardrobes

**Specifications:**

- Weight Carrying Capacity: **40Kg.**
- 50,000 life cycle tested

**Fitting Set for 1 door consists**

- Top Rollers: 1 Set
- Bottom Rollers: 1 Set
- Stopper: 1 Set



Item Code	MRP(₹)
OE.WS.BG1-E Std Std	₹ 345

Top & Bottom Roller Set for Single Door



Item Code	MRP(₹)
OE.WS.BG1-E.Track 4mtr AN	₹ 715
OE.WS.BG1-E.Track 2mtr AN	₹ 350

Top & Bottom Track

**UNI-LINE WARDROBE SLIDING SYSTEM**



Item Code	MRP(₹)
<b>OE.WS.UNLS 2.4mtr Std</b>	<b>₹ 72,100</b>
<b>OE.WS.UNLS 3mtr Std</b>	<b>₹ 74,400</b>

**Features:**

- High-end 2 door Wardrobe Sliding System
- Two shutters closes in the same line leaving NO gap
- Soft open and soft close
- Suitable to use on wooden as well as aluminum framed glass doors

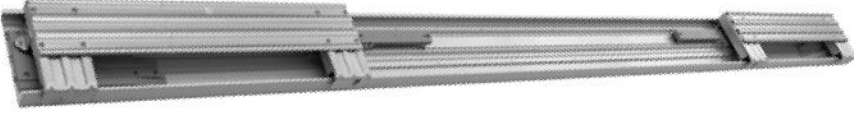















**Specifications:**

- Can be used on doors weighing upto **60kg** each
- Suitable for Wardrobe width **2100mm - 3000mm**



Scan QR for Installation Video

**Product kit includes:**

ACCESSORIES	QTY.	ACCESSORIES	QTY.		
Upper rail component			1		
Down rail component			1		
Down runner fixing plate		2	Down runner A		1
Down runner B		1	Down runner C		2
Adjustable plate A		2	Adjustable plate B		2
Down rail fixing key		8	Down rail fixing key		8
ST 4x20mm Wooden screw		32	ST 4x16mm Wooden screw		60
2.5mm allen key		1	4mm allen key		1
Drilling jig		1	Wrench		1

\*Check product details before placing order.